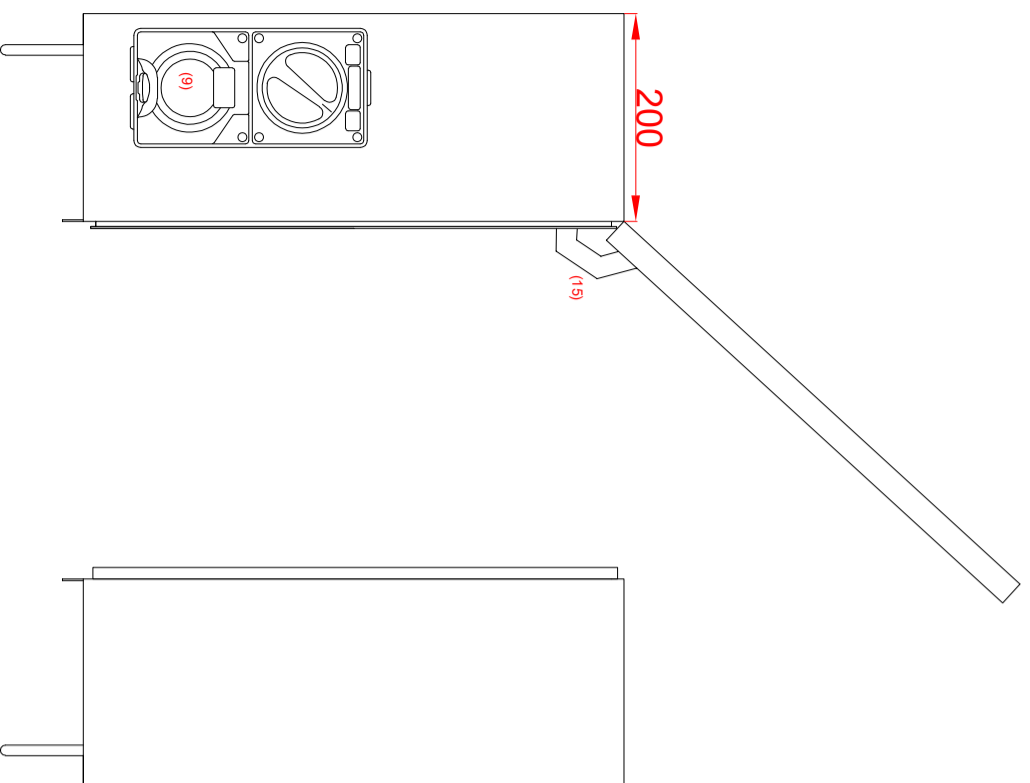


Component Details

Dwg Reference

Enclosure	AS/NZ3012 Galvanised Powdercoated Steel X-15, Orange, IP44, Pad Lockable	(1)
Main Switch	100A 3P Isolator, Wired from Single Pole on Load Side	(2)
MCB	32A 3P, 6KA	(3)
RCD	40A 4P, 6KA	(4)
RCBOs	20A 1P, 6KA, Double Pole	(5)
GPOs	Double Gang, 10A Outlet	(6)
GPOs	Single Gang, 15A Outlet	(7)
Blank Plates	Blank Plates for Future GPO Positions	(8)
Three Phase Outlet	5 Pin 32A Switched Socket Outlet	(9)
Active Links	Red 4 Hole 165A Sealable Active Link for 25mm Mains	(10)
Neutral Link	Black 4 Hole 165A Sealable Neutral Link for 25mm Mains	(11)
Earth Bar	100A 12 way	(12)
Neutral Bar	100A 12 way	(13)
RCD Cover	Galvanised Powdercoated Steel, X-15 Orange, Pad / Key Lockable	(14)
Door Stay	Galvanised Powdercoated Steel Door Retainer	(15)
Compliance Stickers	AS/NZ 3012 Sticker Kit	(16)



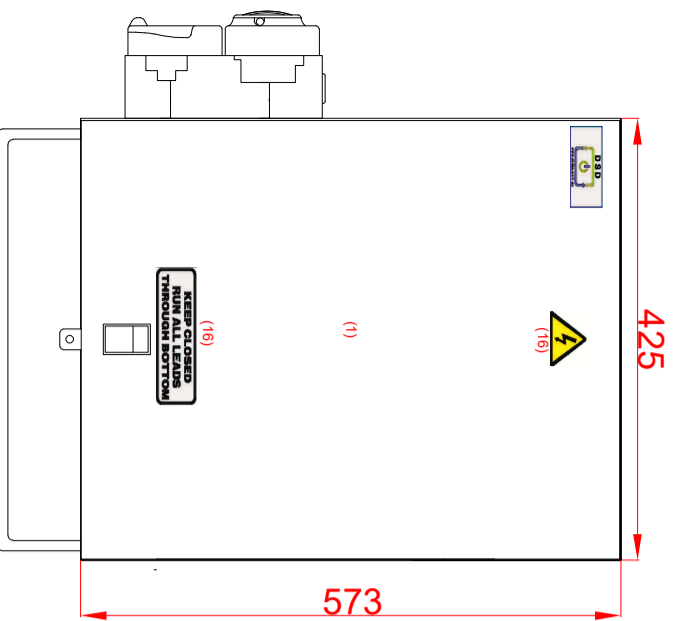
Profile View RHS

Door Open

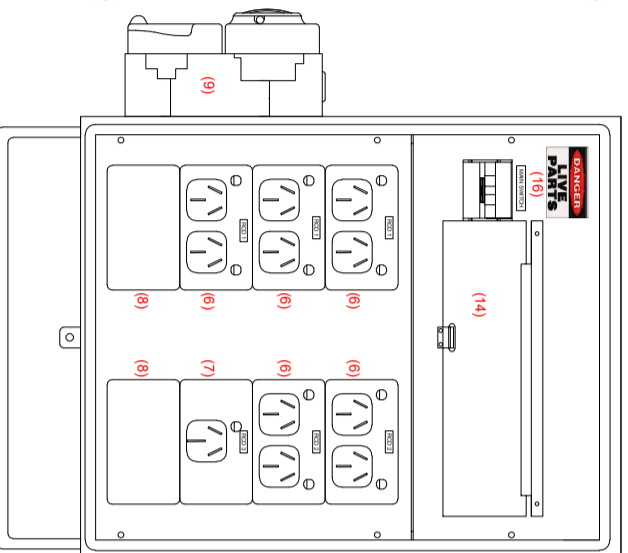


Profile View LHS

Door Closed

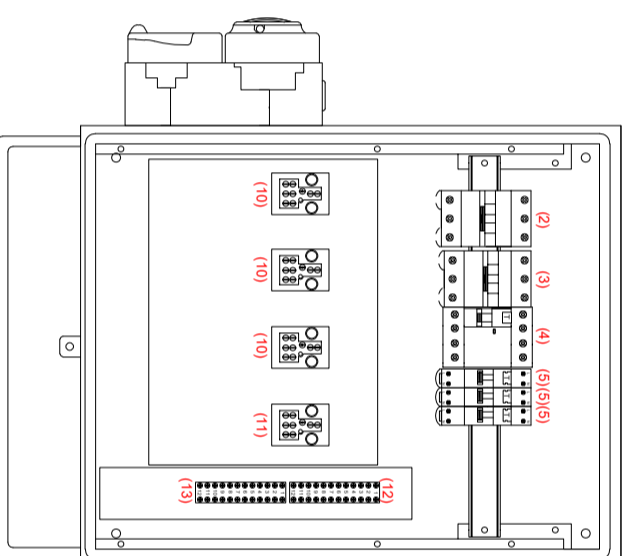


External View

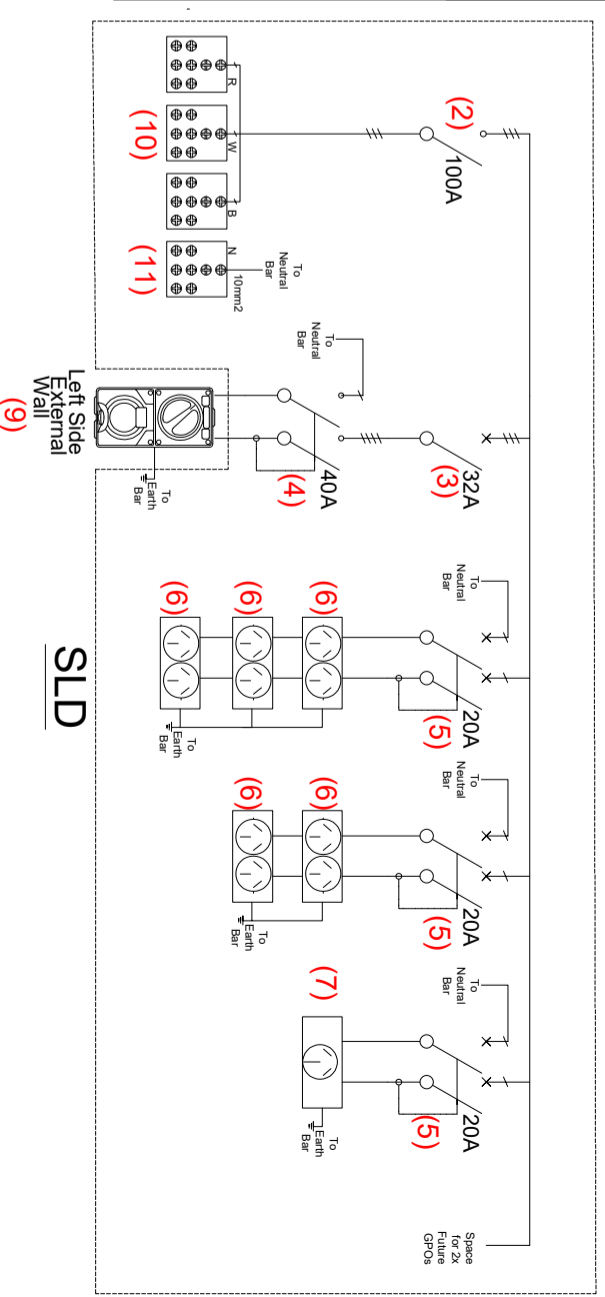


Internal View

Escutcheon On



Internal View



© THESE DRAWINGS REMAIN THE PROPERTY OF DSD AND CANNOT BE REPRODUCED WITHOUT PRIOR WRITTEN CONSENT

AMENDMENTS			
REV:	DATE:	DESCRIPTION:	
A	19/10/20	Temporary Power Boards	

DSD
Design Switchboards & Distribution

Unit 3/6-10 Octal Street
Yatala, QLD 4207
TEL : 07 5597 1102

Project:	TPB-3PT5.532
Title:	TPB-3PT5.532
Scale:	NTS
Date:	19/10/20
Approved:	
Document ID:	
Rev:	A