

AMENDMENTS	
REV:	DATE:
A	19/10/20
DESCRIPTION: Temporary Power Boards	

Unit 3/6-10 Ocata Street
Yatala, QLD 4207
TEL : 07 5597 1102



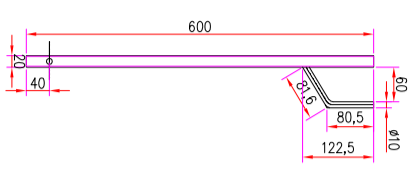
Project: **Temporary Power Boards**

Title: **TPB- Accessories**
Scale: **NTS**
Date: **19/10/20**
Approved: **A**

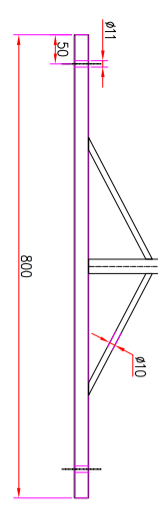
Document ID: **-**

THESE DRAWINGS REMAIN THE PROPERTY OF DSD
AND CANNOT BE REPRODUCED WITHOUT PRIOR WRITTEN CONSENT

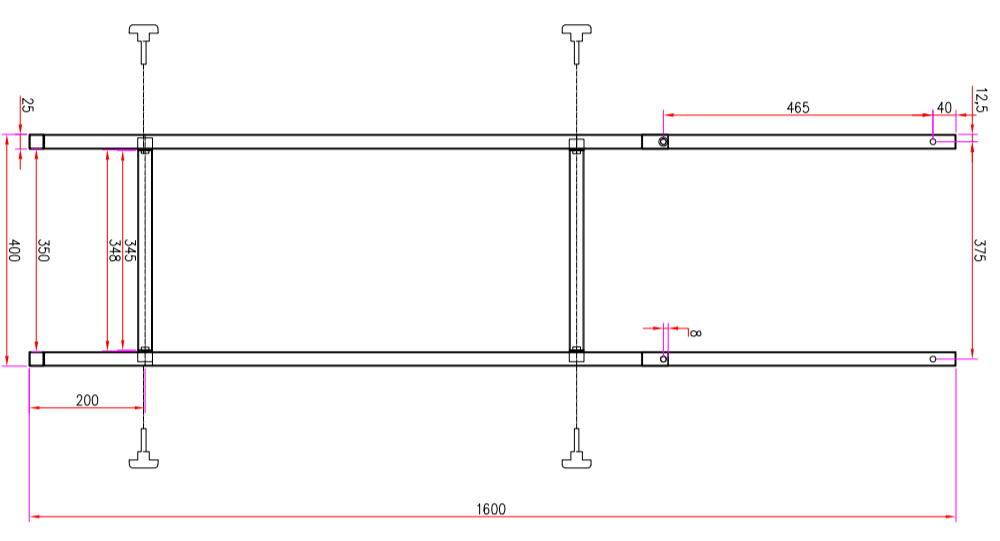
Insulated Lead Hook



TPB Stand Profile

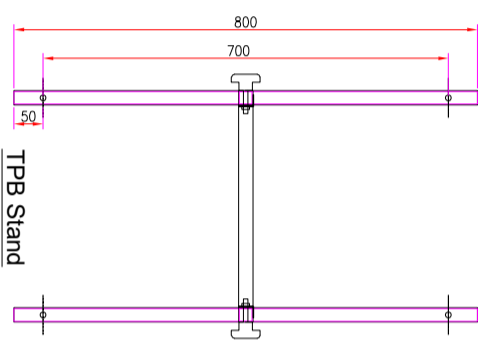


SLD

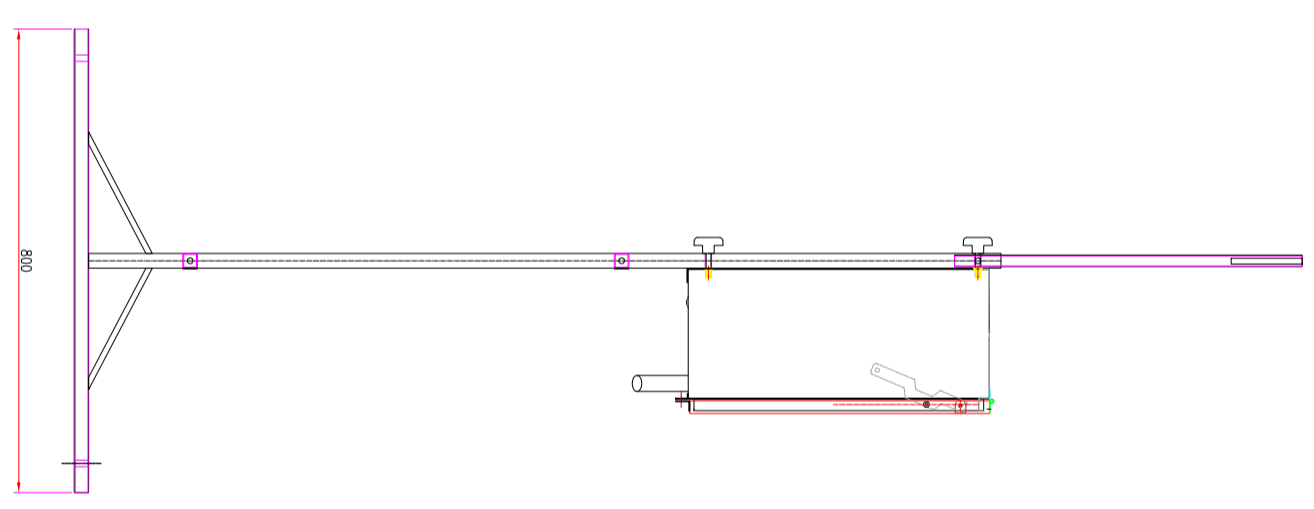


TPB Stand Front

TPB Stand Feet Fixing Pattern



TPB Stand Profile w/ Mounted Enclosure and Lead Hook



TPB Stand Rear w/ Mounted Enclosure and Lead Hook

