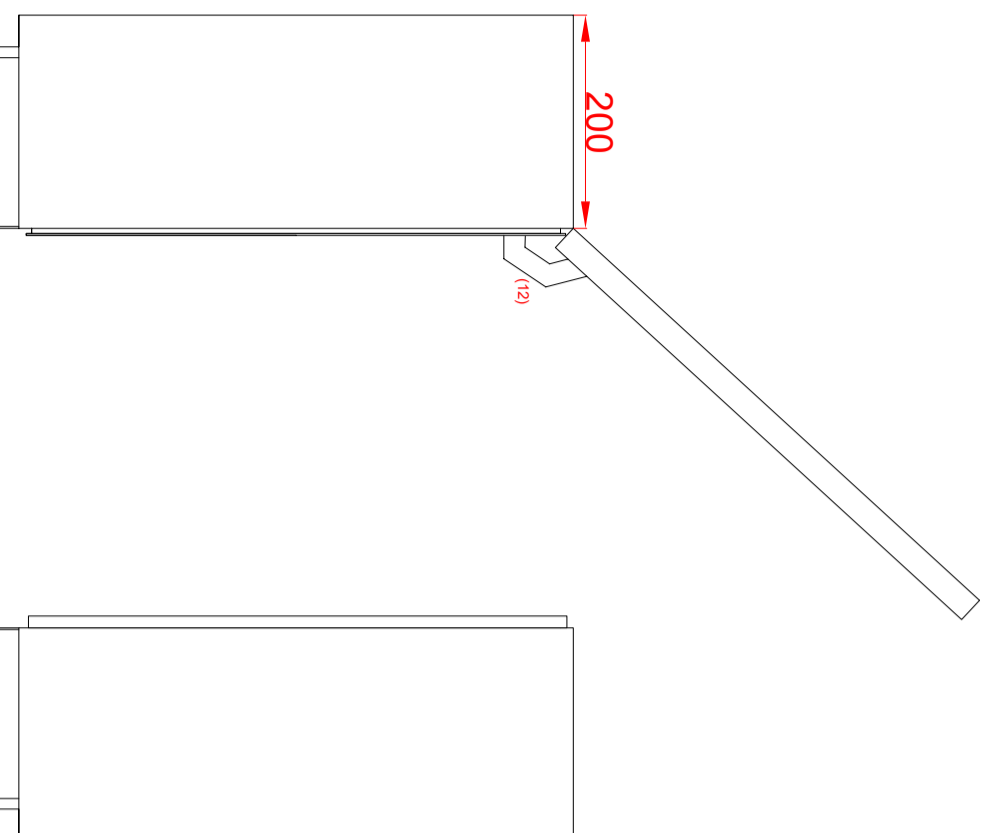


Component Details

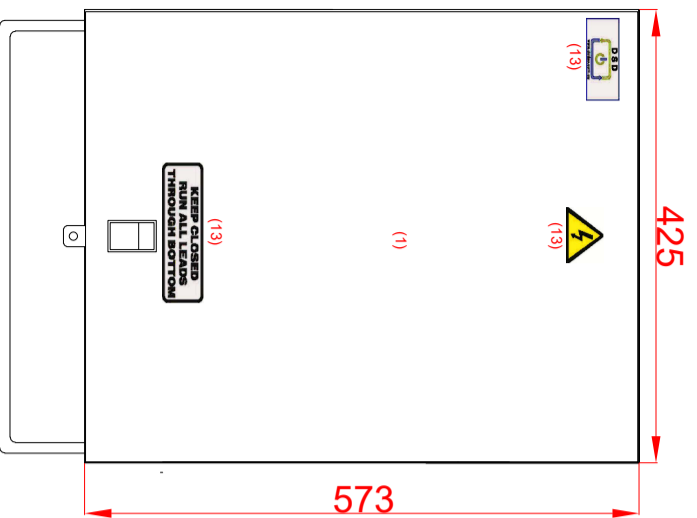
Dwg Reference

Enclosure	AS/NZ3012 Galvanised Powdercoated Steel X-15, Orange, IP44, Pad Lockable	(1)
Main Switch	100A 3P Isolator, Wired from Single Pole on Load Side	(2)
RCBOs	20A 1P, 6kA, Double Pole	(3)
GPOs	Double Gang, 10A Outlet	(4)
GPOs	Single Gang, 15A Outlet	(5)
Blank Plates	Blank Plates for Future GPO Positions	(6)
Active Links	Red 4 Hole 165A Sealable Active Link for 25mm Mains	(7)
Neutral Link	Black 4 Hole 165A Sealable Neutral Link for 25mm Mains	(8)
Earth Bar	100A 12 way	(9)
Neutral Bar	100A 12 way	(10)
RCD Cover	Galvanised Powdercoated Steel, X-15 Orange, Pad / Key Lockable	(11)
Door Stay	Galvanised Powdercoated Steel Door Retainer	(12)
Compliance Stickers	AS/NZ 3012 Sticker Kit	(13)

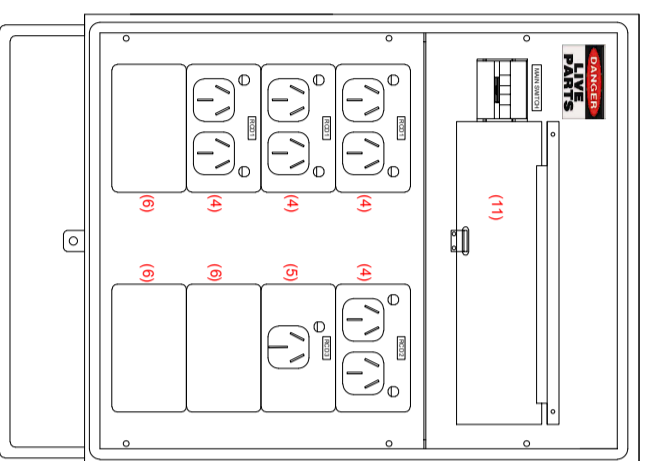


Profile View RHS Door Open

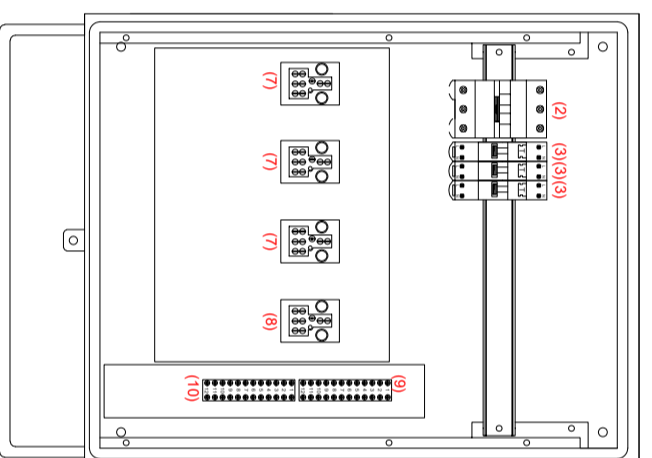
Profile View LHS Door Closed



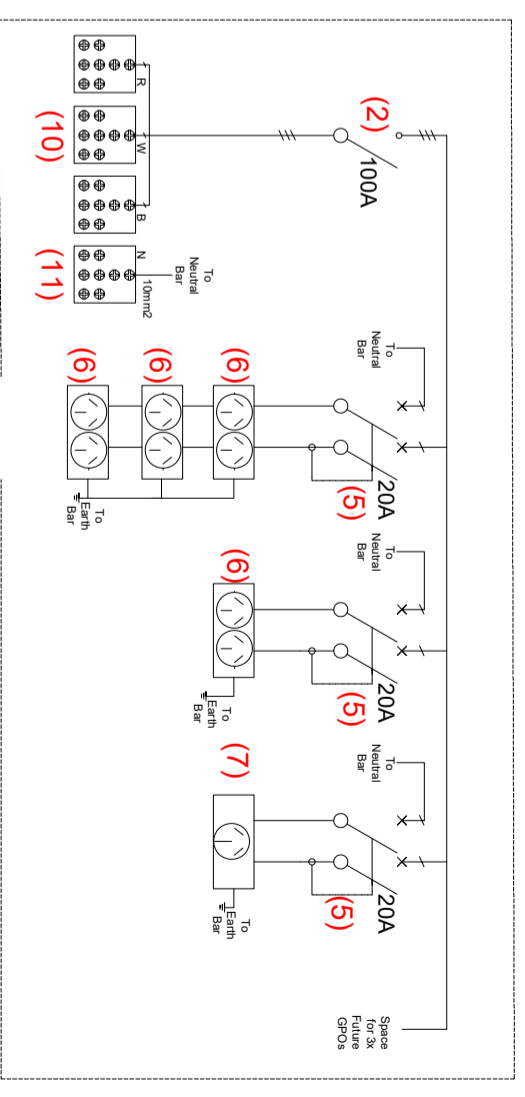
External View



Internal View Escutcheon On



Internal View



SLD

© THESE DRAWINGS REMAIN THE PROPERTY OF DSD AND CANNOT BE REPRODUCED WITHOUT PRIOR WRITTEN CONSENT

AMENDMENTS	REV:	DATE:	DESCRIPTION:
A		19/10/20	Temporary Power Boards



Unit 3/6-10 Octal Street
Yatala, QLD 4207
TEL : 07 5597 1102

Design Switchboards & Distribution

Project:

Temporary Power Boards
TPB-3PT4

Title: TPB-3PT4

Scale: NTS

Date: 19/10/20

Approved:

Document ID:

Rev:

A